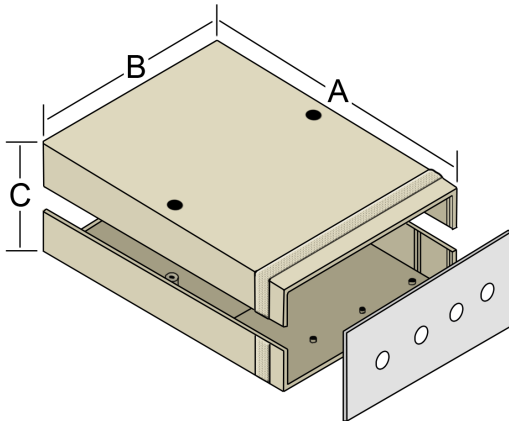
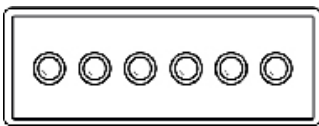


128 SERIES MANUAL CONTROLS IN A TWO-PIECE LARGE SURFACE BOX

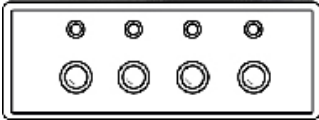
The **128 Series** has a choice of push buttons, toggle switches and LEDs on a 2-piece, high impact black or gray plastic box with a satin, anodized aluminum front and back plate. Suitable for mounting under a desk, counter, or a wall.



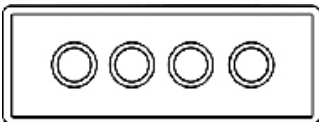
DELTA-REX Series	Enclosure Dimensions		
	A	B	C
B128-	5-1/4"	5-1/4"	2"
C128-	7"	6"	2"
D128-	7"	8"	2-1/2"
E128-	6-5/16"	6-5/16"	3-3/8"



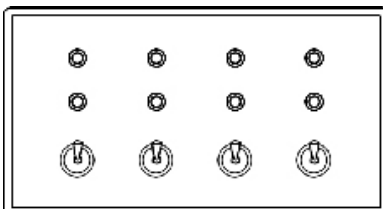
B128-6M1(2)



B128-4/M1(2)L1*



B128-4LM1(2)



E128-4/T1(2)L2*

Model Number	Description	List Price
B128-	5-1/4" x 5-1/4" x 2"	- 1 to 4 alike \$ 96.00 - 5 or more alike 80.00
C128-	7" x 6" x 2"	- 1 to 4 alike 112.00 - 5 or more alike 96.00
D128-	7" x 8" x 2-1/2"	- 1 to 4 alike 124.00 - 5 or more alike 112.00
E128-	6-5/16" x 6-5/16" x 3-3/8"	- 1 to 4 alike 124.00 - 5 or more alike 112.00

Options

Numbers shown in parenthesis references a product model number
 To basic box price, add price of each component required

M1	with one SPDT Mom. push button (120 Series)	36.00
M2	with one DPDT Mom. push button	54.00
A1	with one SPDT Alt. Act. red push button	54.00
A2	with one DPDT Alt. Act. red push button	66.00
T1	with one SPDT Maint. toggle (100 Series)	40.00
T2	with one DPDT Maint. toggle	56.00
LM1	with one SPDT Mom. illuminated push button (111 Series)	56.00
LM2	with one DPDT Mom. illuminated push button	80.00
M10*	with one SPDT Mom. illuminated push button (114 Series)	104.00
M11*	with one DPDT Mom. illuminated push button	136.00
L**	with one colored LED (310 Series)	18.00
BZ	with one buzzer (350-BZ)	64.00

Consult Factory for other options

*Specify lens color: G-Green, R-Red, U-Blue, Y-Yellow

**Specify number of LEDs: 1, 2, 3, etc. and color: G-Green, R-Red, A-Amber

NOTES: 1. For multiple components, prefix appropriate number to component
 Thus: "2M1", "3M10R", "2A1L2/RG"
 2. To specify box color, prefix "B" – Black, or "G" – Gray to model number
 Thus: "BB128-", "GE128-"