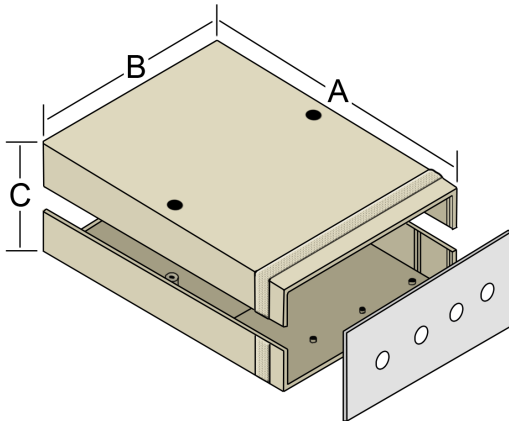
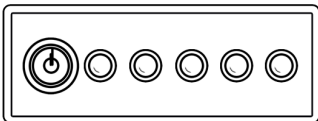


## 228 SERIES MANUAL CONTROLS IN A TWO-PIECE LARGE SURFACE BOX

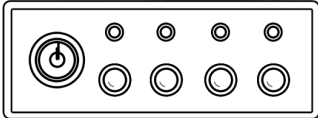
The 228 Series has a choice of push buttons, toggle switches and LEDs on a 2-piece, high impact black or gray plastic box with a satin, anodized aluminum front and back plate. Suitable for mounting under a desk, counter, or a wall.



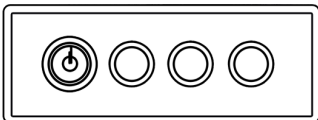
| DELTA-REX Series | Enclosure Dimensions |         |        |
|------------------|----------------------|---------|--------|
|                  | A                    | B       | C      |
| B228-            | 5-1/4"               | 5-1/4"  | 2"     |
| C228-            | 7"                   | 6"      | 2"     |
| D228-            | 7"                   | 8"      | 2-1/2" |
| E228-            | 6-5/16"              | 6-5/16" | 3-3/8" |



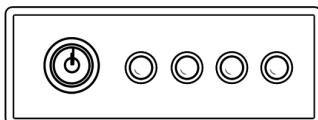
B228-A21/5M1(2)



B228-A21/4M1(2)L1\*



B228-A21/3LM1(2)



B228-A21/4M1(2)

### Model Number

### Description

### List Price

|       |                            |                                     |                    |
|-------|----------------------------|-------------------------------------|--------------------|
| B228- | 5-1/4" x 5-1/4" x 2"       | - 1 to 4 alike<br>- 5 or more alike | \$ 104.00<br>88.00 |
| C228- | 7" x 6" x 2"               | - 1 to 4 alike<br>- 5 or more alike | 120.00<br>104.00   |
| D228- | 7" x 8" x 2-1/2"           | - 1 to 4 alike<br>- 5 or more alike | 136.00<br>120.00   |
| E228- | 6-5/16" x 6-5/16" x 3-3/8" | - 1 to 4 alike<br>- 5 or more alike | 144.00<br>128.00   |

### Key Switches and Options

Numbers shown in parenthesis references a product model number  
To basic box price, add price of each component required

|      |   |        |
|------|---|--------|
| A21  | DPDT 2-position Maintained key switch, key out one position | 104.00 |
| A22  | DPDT 2-position Maintained key switch, key out two position | 104.00 |
| M21  | DPDT Momentary key switch                                   | 128.00 |
| M1   | with one SPDT Mom. push button (120 Series)                 | 36.00  |
| M2   | with one DPDT Mom. push button                              | 54.00  |
| A1   | with one SPDT Alt. Act. red push button                     | 54.00  |
| A2   | with one DPDT Alt. Act. red push button                     | 66.00  |
| T1   | with one SPDT Maint. toggle (100 Series)                    | 40.00  |
| T2   | with one DPDT Maint. toggle                                 | 56.00  |
| LM1  | with one SPDT Mom. illuminated push button (111 Series)     | 56.00  |
| LM2  | with one DPDT Mom. illuminated push button                  | 80.00  |
| M10* | with one SPDT Mom. illuminated push button (114 Series)     | 104.00 |
| M11* | with one DPDT Mom. illuminated push button                  | 136.00 |
| L**  | with one colored LED (310 Series)                           | 18.00  |
| BZ   | with one buzzer (350-BZ)                                    | 64.00  |

Consult Factory for other options

\*Specify lens color: G-Green, R-Red, U-Blue, Y-Yellow

\*\*Specify number of LEDs: 1, 2, 3, etc. and color: G-Green, R-Red, A-Amber

NOTES: 1. For multiple components, prefix appropriate number to component  
Thus: "2M1", "3M10R", "2A1L2/RG"  
2. To specify box color, prefix "B" – Black, or "G" – Gray to model number  
Thus: "BB228-", "GE228-"